

# Brazed Plate Heat Exchanger

## Technical Data Sheet



# Brazed Plate Heat Exchanger

## Technical Data Sheet VM 15



Fittings are available for threaded (NPT and BSPP), sweat (solder), and ProPress.  
Male NPT 3/4 inch is standard for both primary and secondary port connections.

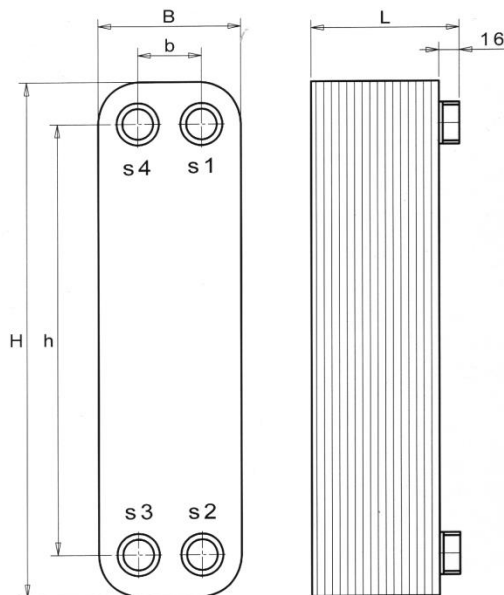
CE 0036

1. Materials	
Plates:	AISI 316L SS
Connectors/Fittings:	AISI 316L SS
Brazing:	99.9% copper
Product Label:	Temp. Resistant Material

2. Operating conditions	
Environ. temp. range	
in operation	40...105°F
in transport/storage	-40...180°F
max. allowed pressure:	435 psi
test pressure:	652 psi
min. allowed temperature:	14°F
max. allowed temperature:	+383°F
max. delta T prim/sec:	302°F

3. Safety Standard Compliance	
(To the extent that the product is used in an application corresponding to these standards.)	
DIN = German National Standards (Deutsches Institut für Normung e.V.)	
DIN 4751 - Mechanical Safety Equipment for Hot Water Heating Systems	
DIN 4753 - Water Heaters/Heating Installations for Drinking & Service Water	
DIN 1988 (parts 1-7) - Tech. Regulations for Drinking Water Installations	

4. Design Specifications									
plate count	Int. Volume (ounces)		Dimensions (inches)					Weight (empty) (lbs)	Surface Area (sq.ft.)
	primary	second.	Depth L	Width		Height			
	B	b		B	b	H	h		
10	3.52	4.40	1.69	2.87	1.65	7.95	6.77	2.43	1.29
20	7.91	8.79	2.60	2.87	1.65	7.95	6.77	3.53	2.91
30	12.31	13.19	3.50	2.87	1.65	7.95	6.77	4.41	4.52
40	16.70	17.58	4.41	2.87	1.65	7.95	6.77	5.29	6.14



# Brazed Plate Heat Exchanger

## Technical Data Sheet VM 25



Fittings are available for threaded (NPT and BSPP), sweat (solder), and ProPress.  
Male NPT 3/4 inch is standard for both primary and secondary port connections.

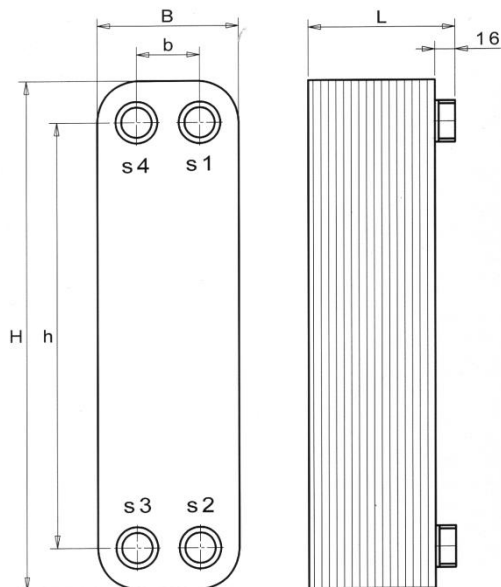
CE 0036

1. Materials	
Plates:	AISI 316L SS
Connectors/Fittings:	AISI 316L SS
Brazing:	99.9% copper
Product Label:	Temp. Resistant Material

2. Operating conditions	
Environ. temp. range in operation	40...105°F
in transport/storage	-40...180°F
max. allowed pressure:	435 psi
test pressure:	652 psi
min. allowed temperature:	14°F
max. allowed temperature:	+383°F
max. delta T prim/sec:	302°F

3. Safety Standard Compliance	
(To the extent that the product is used in an application corresponding to these standards.)	
DIN = German National Standards (Deutsches Institut für Normung e.V.)	
DIN 4751 - Mechanical Safety Equipment for Hot Water Heating Systems	
DIN 4753 - Water Heaters/Heating Installations for Drinking & Service Water	
DIN 1988 (parts 1-7) - Tech. Regulations for Drinking Water Installations	

4. Design Specifications									
plate count	Int. Volume ( ounces )		Dimensions (inches)					Weight (empty) (lbs)	Surface Area (sq.ft.)
	primary	second.	Depth L	Width B b		Height H h			
8	3.72	7.73	1.50	2.83	1.65	12.13	10.94	3.52	1.61
10	4.73	6.09	1.69	2.83	1.65	12.13	10.94	3.75	2.15
14	7.10	8.45	2.05	2.83	1.65	12.13	10.94	4.41	3.23
16	8.45	9.47	2.24	2.83	1.65	12.13	10.94	4.85	3.77
20	10.82	11.83	2.60	2.83	1.65	12.13	10.94	5.73	4.84
24	13.19	14.20	2.95	2.83	1.65	12.13	10.94	6.17	5.92
30	16.91	17.92	3.50	2.83	1.65	12.13	10.94	6.83	7.54
40	22.66	24.00	4.41	2.83	1.65	12.13	10.94	8.38	10.23
50	28.74	29.76	5.31	2.83	1.65	12.13	10.94	10.14	12.92
60	34.83	35.84	6.22	2.83	1.65	12.13	10.94	11.68	15.61
80	46.66	47.68	8.03	2.83	1.65	12.13	10.94	16.31	21.00



# Brazed Plate Heat Exchanger

## Technical Data Sheet VM 30



Fittings are available for threaded (NPT and BSPP), sweat (solder), and ProPress.  
Male NPT 1 inch is standard for both primary and secondary port connections.

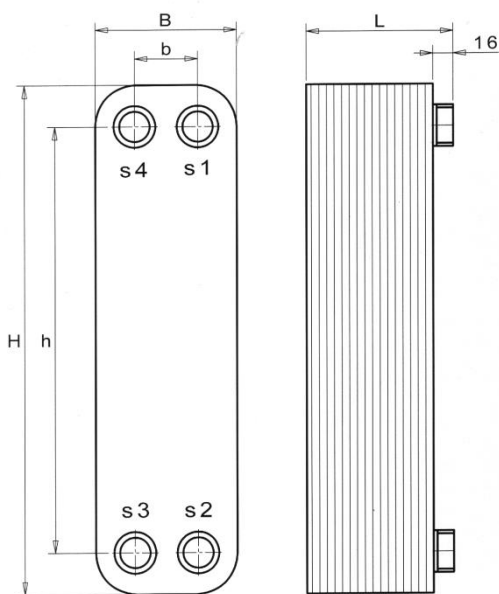
CE 0036

1. Materials	
Plates:	AISI 316L SS
Connectors/Fittings:	AISI 316L SS
Brazing:	99.9% copper
Product Label:	Temp. Resistant Material

2. Operating conditions	
Environ. temp. range in operation	40...105°F
in transport/storage	-40...180°F
max. allowed pressure:	435 psi
test pressure:	652 psi
min. allowed temperature:	14°F
max. allowed temperature:	+383°F
max. delta T prim/sec:	302°F

3. Safety Standard Compliance	
(To the extent that the product is used in an application corresponding to these standards.)	
DIN = German National Standards (Deutsches Institut für Normung e.V.)	
DIN 4751 - Mechanical Safety Equipment for Hot Water Heating Systems	
DIN 4753 - Water Heaters/Heating Installations for Drinking & Service Water	
DIN 1988 (parts 1-7) - Tech. Regulations for Drinking Water Installations	

4. Design Specifications									
plate count	Int. Volume (ounces)		Dimensions (inches)					Weight (empty) (lbs)	Surface Area (sq.ft.)
	primary	second.	Depth L	Width B b		Height H h			
6	3.52	5.27	1.33	4.17	1.97	12.05	9.84	4.75	1.51
8	5.27	7.03	1.51	4.17	1.97	12.05	9.84	5.15	2.26
10	7.03	8.79	1.69	4.17	1.97	12.05	9.84	5.56	3.01
14	10.55	12.31	2.06	4.17	1.97	12.05	9.84	6.36	4.52
16	12.31	14.07	2.24	4.17	1.97	12.05	9.84	6.76	5.27
18	14.07	15.82	2.42	4.17	1.97	12.05	9.84	7.16	6.03
20	15.82	17.58	2.60	4.17	1.97	12.05	9.84	7.56	6.78
24	19.34	21.10	2.96	4.17	1.97	12.05	9.84	8.36	8.29
30	24.62	26.37	3.50	4.17	1.97	12.05	9.84	9.57	10.55
40	33.41	35.17	4.41	4.17	1.97	12.05	9.84	11.57	14.32
50	42.20	43.96	5.31	4.17	1.97	12.05	9.84	13.58	18.08
60	50.99	52.75	6.22	4.17	1.97	12.05	9.84	15.59	21.85
80	68.57	70.33	8.03	4.17	1.97	12.05	9.84	19.60	29.39



# Brazed Plate Heat Exchanger

## Technical Data Sheet VM 55



Fittings are available for threaded (NPT and BSPP), sweat (solder), and ProPress.  
Male NPT 1 inch is standard for both primary and secondary port connections.

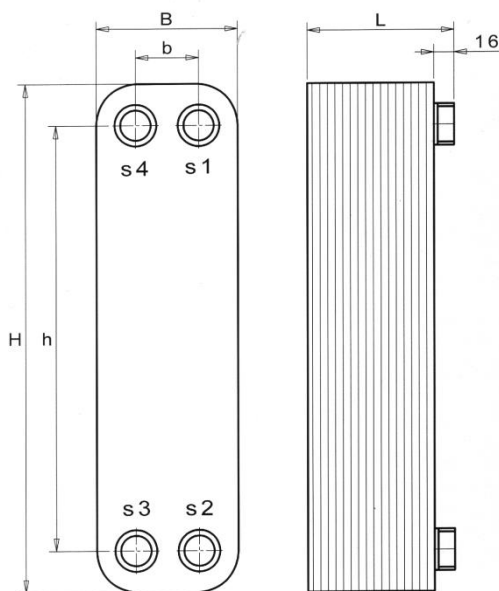
CE 0036

1. Materials	
Plates:	AISI 316L SS
Connectors/Fittings:	AISI 316L SS
Brazing:	99.9% copper
Product Label:	Temp. Resistant Material

2. Operating conditions	
Environ. temp. range in operation	40...105°F
in transport/storage	-40...180°F
max. allowed pressure:	435 psi
test pressure:	652 psi
min. allowed temperature:	14°F
max. allowed temperature:	+383°F
max. delta T prim/sec:	302°F

3. Safety Standard Compliance	
(To the extent that the product is used in an application corresponding to these standards.)	
DIN = German National Standards (Deutsches Institut für Normung e.V.)	
DIN 4751 - Mechanical Safety Equipment for Hot Water Heating Systems	
DIN 4753 - Water Heaters/Heating Installations for Drinking & Service Water	
DIN 1988 (parts 1-7) - Tech. Regulations for Drinking Water Installations	

4. Design Specifications									
plate count	Int. Volume (ounces)		Dimensions (inches)					Weight (empty) (lbs)	Surface Area (sq.ft.)
	primary	second.	Depth L	Width B b		Height H h			
	6	7.98	11.97	1.33	4.17	1.97	20.47	18.35	11.24
8	11.97	15.96	1.51	4.17	1.97	20.47	18.35	11.90	3.55
10	15.96	19.95	1.69	4.17	1.97	20.47	18.35	12.79	4.74
14	23.94	27.93	2.06	4.17	1.97	20.47	18.35	14.33	7.10
20	35.91	39.90	2.60	4.17	1.97	20.47	18.35	16.76	10.66
24	43.89	47.88	2.96	4.17	1.97	20.47	18.35	18.08	13.02
30	55.86	59.85	3.50	4.17	1.97	20.47	18.35	20.50	16.58
40	75.81	79.80	4.41	4.17	1.97	20.47	18.35	24.47	22.50
50	95.76	99.75	5.31	4.17	1.97	20.47	18.35	28.22	28.42
60	115.71	119.70	6.22	4.17	1.97	20.47	18.35	31.97	34.34
80	155.61	159.60	8.03	4.17	1.97	20.47	18.35	39.68	46.18
100	195.51	199.50	9.84	4.17	1.97	20.47	18.35	47.40	58.02



# Brazed Plate Heat Exchanger

## Technical Data Sheet VM 60



Fittings are available for threaded (NPT and BSPP), sweat (solder), and ProPress.  
Male NPT 1 1/4 inch is standard for both the primary and secondary port connections.

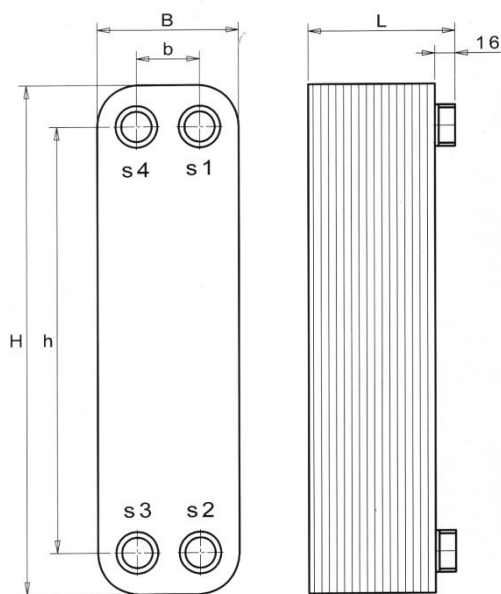
CE 0036

1. Materials	
Plates:	AISI 316L SS
Connectors/Fittings:	AISI 316L SS
Brazing:	99.9% copper
Product Label:	Temp. Resistant Material

2. Operating conditions	
Environ. temp. range in operation	40...105°F
in transport/storage	-40...180°F
max. allowed pressure:	435 psi
test pressure:	652 psi
min. allowed temperature:	14°F
max. allowed temperature:	+383°F
max. delta T prim/sec:	302°F

3. Safety Standard Compliance	
(To the extent that the product is used in an application corresponding to these standards.)	
DIN = German National Standards (Deutsches Institut für Normung e.V.)	
DIN 4751 - Mechanical Safety Equipment for Hot Water Heating Systems	
DIN 4753 - Water Heaters/Heating Installations for Drinking & Service Water	
DIN 1988 (parts 1-7) - Tech. Regulations for Drinking Water Installations	

4. Design Specifications									
plate count	Int. Volume (ounces)		Dimensions (inches)					Weight (empty) (lbs)	Surface Area (sq.ft.)
	primary	second.	Depth L	Width B b		Height H h			
6	8.52	12.78	1.33	4.88	2.72	20.94	18.74	11.68	2.87
8	12.78	17.04	1.51	4.88	2.72	20.94	18.74	12.57	4.26
10	17.04	21.30	1.69	4.88	2.72	20.94	18.74	13.45	5.68
14	25.56	29.82	2.06	4.88	2.72	20.94	18.74	15.21	8.53
20	38.25	42.61	2.60	4.88	2.72	20.94	18.74	17.86	12.79
24	46.87	51.13	2.95	4.88	2.72	20.94	18.74	19.62	15.63
30	59.65	63.19	3.50	4.88	2.72	20.94	18.74	22.27	19.89
40	80.95	85.21	4.41	4.88	2.72	20.94	18.74	26.68	27.00
50	102.25	106.51	5.31	4.88	2.72	20.94	18.74	31.09	34.10
60	123.56	127.82	6.22	4.88	2.72	20.94	18.74	35.49	41.20
80	166.16	170.42	8.03	4.88	2.72	20.94	18.74	44.31	55.41
100	208.77	213.03	9.84	4.88	2.72	20.94	18.74	53.13	69.62



# Brazed Plate Heat Exchanger

## Technical Data Sheet VM 85



Fittings are available for threaded (NPT and BSPP), sweat (solder), and ProPress. Außengewinde G 2 Male  
NPT 2 inch is standard for both primary and secondary port connections.

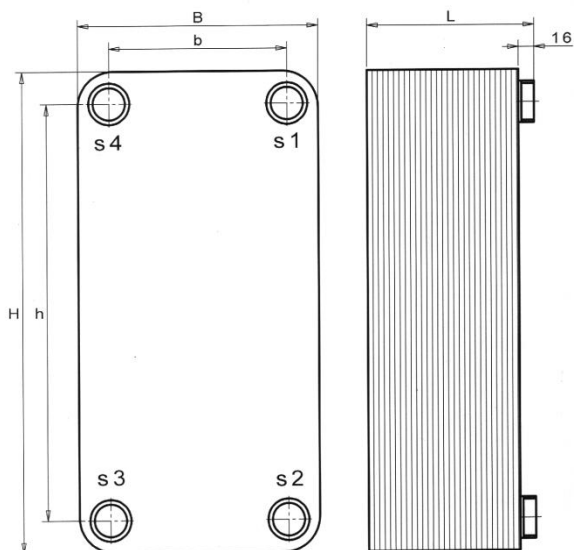
CE 0036

1. Materials	
Plates:	AISI 316L SS
Connectors/Fittings:	AISI 316L SS
Brazing:	99.9% copper
Product Label:	Temp. Resistant Material

2. Operating conditions	
Environ. temp. range in operation	40...105°F
in transport/storage	-40...180°F
max. allowed pressure:	435 psi
test pressure:	652 psi
min. allowed temperature:	14°F
max. allowed temperature:	+383°F
max. delta T prim/sec:	302°F

3. Safety Standard Compliance	
(To the extent that the product is used in an application corresponding to these standards.)	
DIN = German National Standards (Deutsches Institut für Normung e.V.)	
DIN 4751 - Mechanical Safety Equipment for Hot Water Heating Systems	
DIN 4753 - Water Heaters/Heating Installations for Drinking & Service Water	
DIN 1988 (parts 1-7) - Tech. Regulations for Drinking Water Installations	

4. Design Specifications		Int. Volume (ounces)		Dimensions (inches)				Weight (empty)	Surface Area
plate count	primary	second.	Depth L	Width B b		Height H h		(lbs)	sq.ft.
	30	0.96	1.03	3,35	10.67	7.80	20.94		
40	1.30	1.37	4,17	10.67	7.80	20.94	18.11	56.66	61.35
50	1.65	1.72	5,04	10.67	7.80	20.94	18.11	66.14	77.50
60	1.99	2.06	5,87	10.67	7.80	20.94	18.11	75.00	93.65
70	2.34	2.40	6,73	10.67	7.80	20.94	18.11	84.26	109.79
80	2.68	2.75	7,56	10.67	7.80	20.94	18.11	93.52	125.94
90	3.02	3.09	8,43	10.67	7.80	20.94	18.11	102.78	142.08
100	3.37	3.43	9,25	10.67	7.80	20.94	18.11	112.04	158.23
110	3.71	3.78	10,12	10.67	7.80	20.94	18.11	121.30	174.37
120	4.05	4.12	10,94	10.67	7.80	20.94	18.11	130.56	190.52
130	4.40	4.46	11,81	10.67	7.80	20.94	18.11	139.82	206.67
140	4.74	4.81	12,64	10.67	7.80	20.94	18.11	149.08	222.81
150	5.08	5.15	13,50	10.67	7.80	20.94	18.11	158.34	238.96
180	6.11	6.18	16,02	10.67	7.80	20.94	18.11	186.11	287.40
200	6.80	6.87	17,72	10.67	7.80	20.94	18.11	204.63	319.69



# Brazed Plate Heat Exchanger

## Technical Data Sheet VM 85

### DN 50 Flange



Fittings are DN 50 flange  
Standard fittings are DN 50 DIN 2656

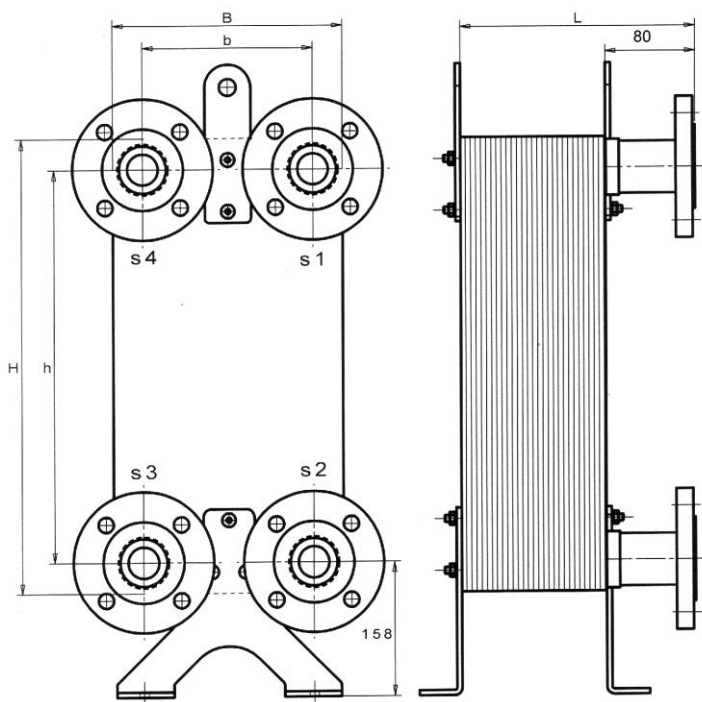
CE 0036

1. Materials	
Plates:	AISI 316L SS
Connectors/Fittings:	AISI 316L SS
Brazing:	99.9% copper
Product Label:	Temp. Resistant Material

2. Operating conditions	
Environ. temp. range in operation	40...105°F
in transport/storage	-40...180°F
max. allowed pressure:	435 psi
test pressure:	652 psi
min. allowed temperature:	14°F
max. allowed temperature:	+383°F
max. delta T prim/sec:	302°F

3. Safety Standard Compliance	
(To the extent that the product is used in an application corresponding to these standards.)	
DIN = German National Standards (Deutsches Institut für Normung e.V.)	
DIN 4751 - Mechanical Safety Equipment for Hot Water Heating Systems	
DIN 4753 - Water Heaters/Heating Installations for Drinking & Service Water	
DIN 1988 (parts 1-7) - Tech. Regulations for Drinking Water Installations	

4. Design Specifications									
plate count	Int. Volume (ounces)		Dimensions (inches)					Weight (empty) (lbs)	Surface Area (sq.ft.)
	primary	second.	Depth L	Width B b		Height H h			
30	0.96	1.03	5.87	10.67	7.80	20.94	18.11	75.18	45.21
40	1.30	1.37	6.69	10.67	7.80	20.94	18.11	84.66	61.35
50	1.65	1.72	7.56	10.67	7.80	20.94	18.11	94.14	77.50
60	1.99	2.06	8.39	10.67	7.80	20.94	18.11	103.62	93.65
80	2.68	2.75	10.08	10.67	7.80	20.94	18.11	122.58	125.94
100	3.37	3.43	11.77	10.67	7.80	20.94	18.11	141.54	158.23
120	4.05	4.12	13.46	10.67	7.80	20.94	18.11	160.50	190.52
150	5.08	5.15	16.02	10.67	7.80	20.94	18.11	185.19	238.96
180	6.11	6.18	18.54	10.67	7.80	20.94	18.11	214.29	287.40
200	6.80	6.87	20.24	10.67	7.80	20.94	18.11	232.81	319.69







VAU Thermotech GmbH & Co. KG  
An der Schmücke 16  
06577 Heldrungen

Tel.: +49 (0) 34673-1683-00

Fax: +49 (0) 34673-1683-50

E-Mail: [wt@vau-thermotech.de](mailto:wt@vau-thermotech.de)

[www.vau-thermotech.de](http://www.vau-thermotech.de)